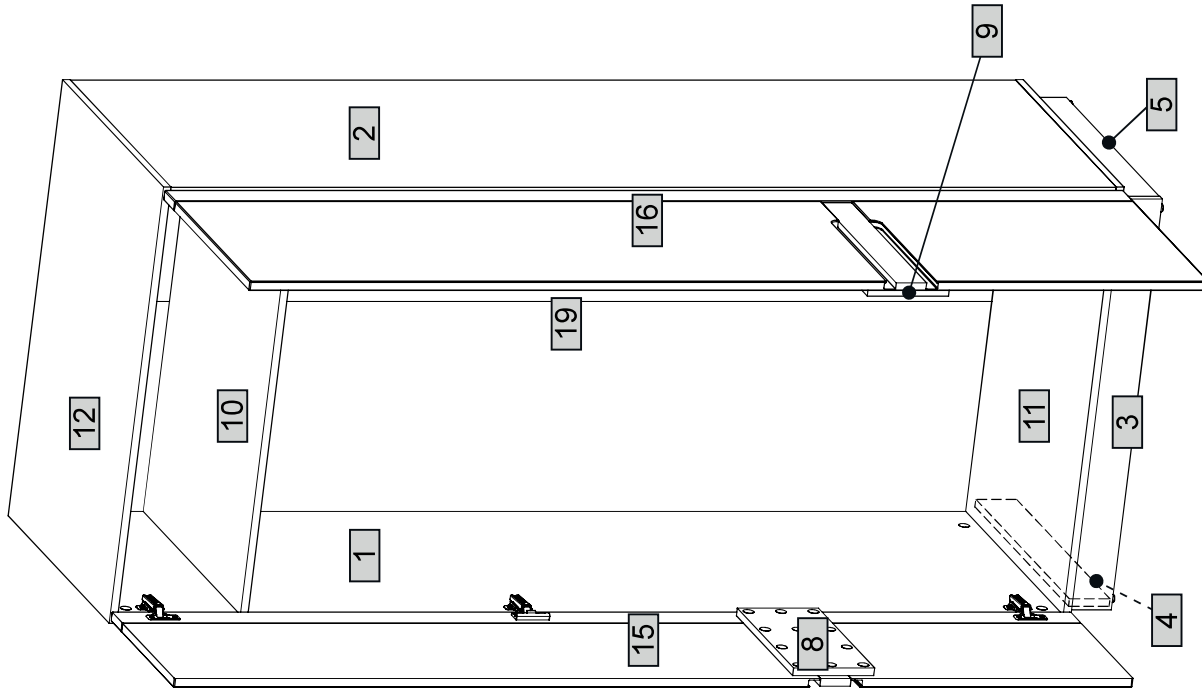
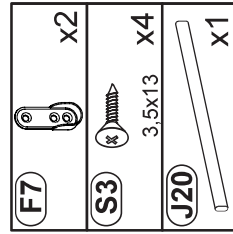
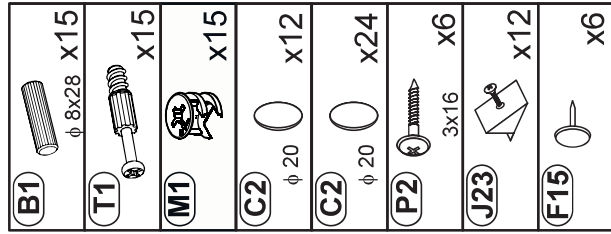
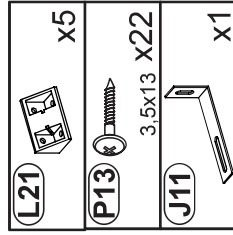
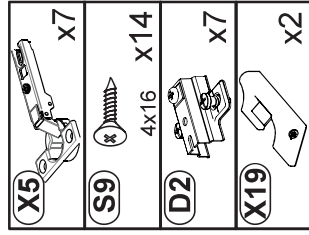
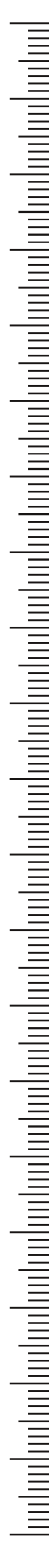


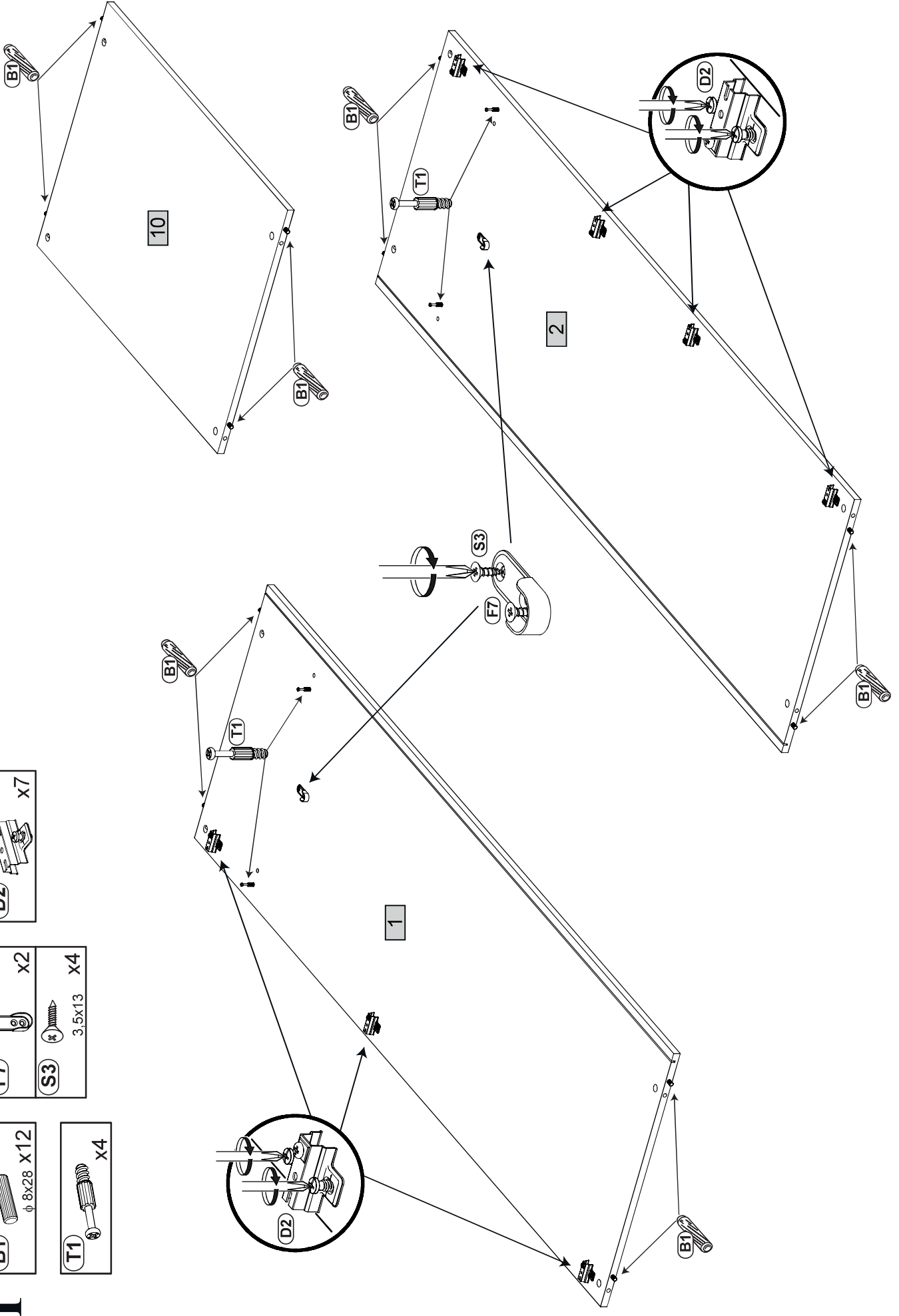
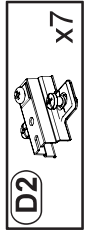
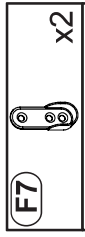
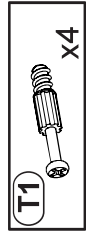
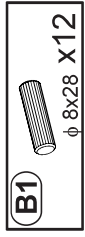
| Nr | Ausmaß | | St | Colli |
|----|--------|-----|----|-------|
| | | | | |
| 1 | 1864 | 581 | 15 | 1 |
| 2 | 1864 | 581 | 15 | 1 |
| 3 | 810 | 80 | 15 | 1 |
| 4 | 538 | 80 | 15 | 1 |
| 5 | 538 | 80 | 15 | 2 |
| 8 | 324 | 160 | 15 | 1 |
| 9 | 460 | 160 | 15 | 1 |
| 10 | 828 | 559 | 15 | 1 |
| 11 | 860 | 582 | 15 | 1 |
| 12 | 860 | 582 | 15 | 2 |
| 15 | 1890 | 360 | 18 | 1 |
| 16 | 1890 | 494 | 18 | 1 |
| 19 | 1878 | 421 | 2 | 2 |



0 10 20 30 40 50 60 70 80 90 100 110 120 130 140 150 160 170 180 190 200



1

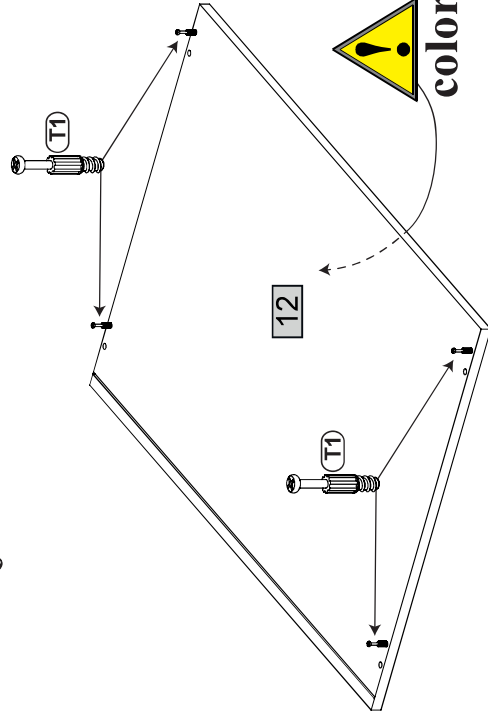
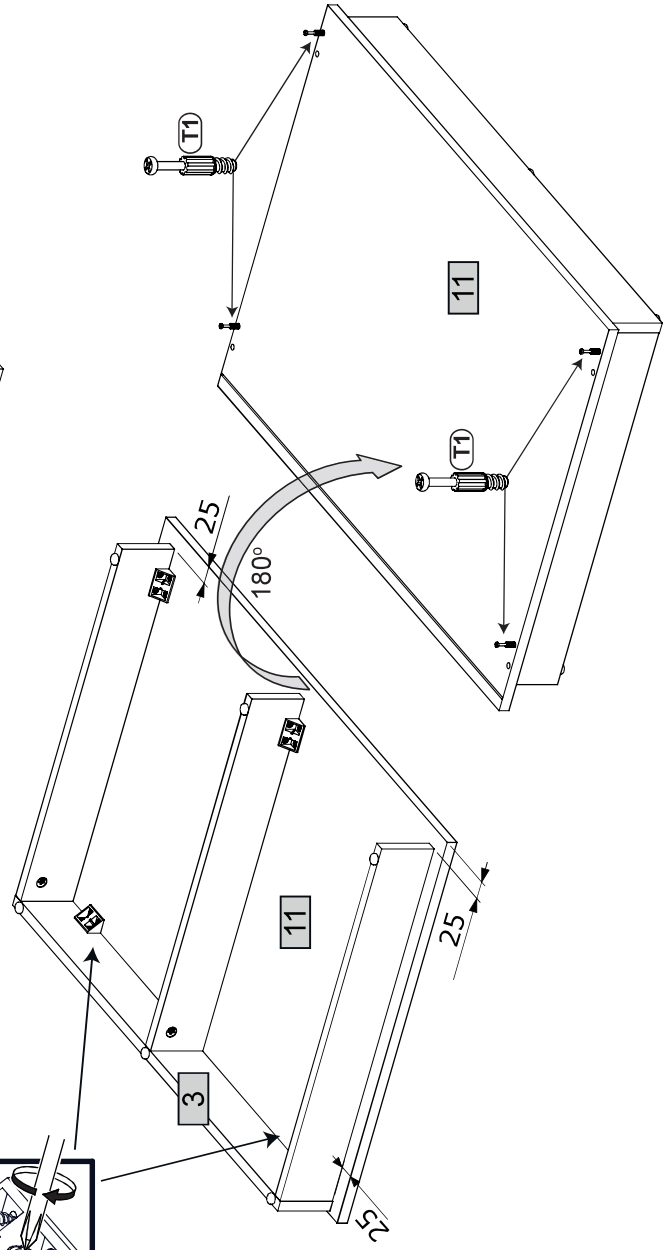
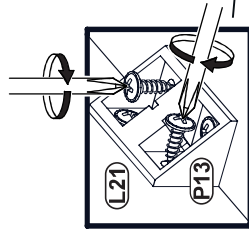
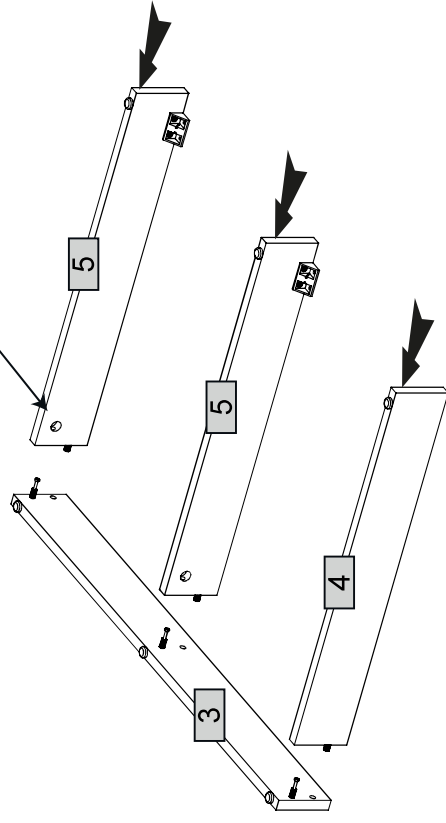
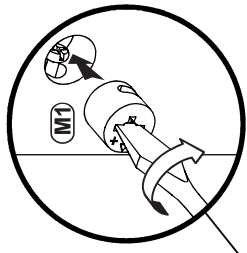
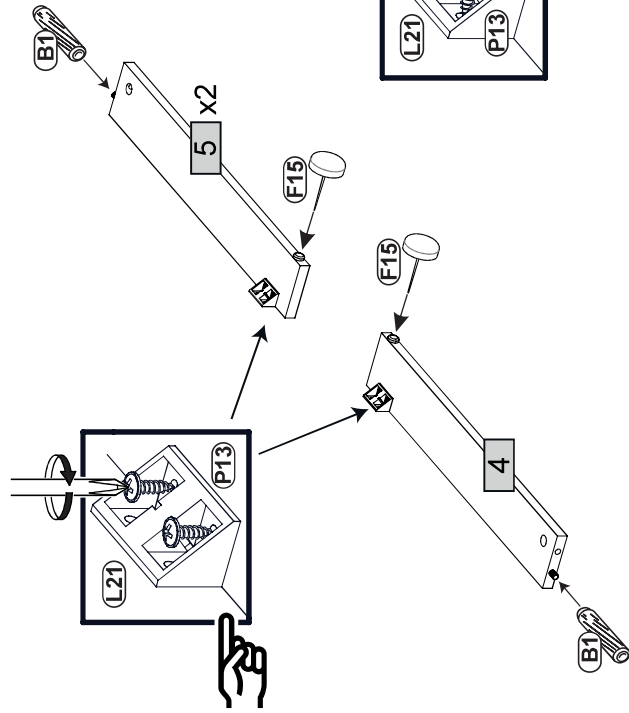
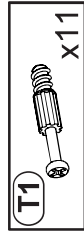
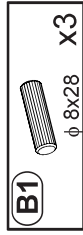


10



2

1

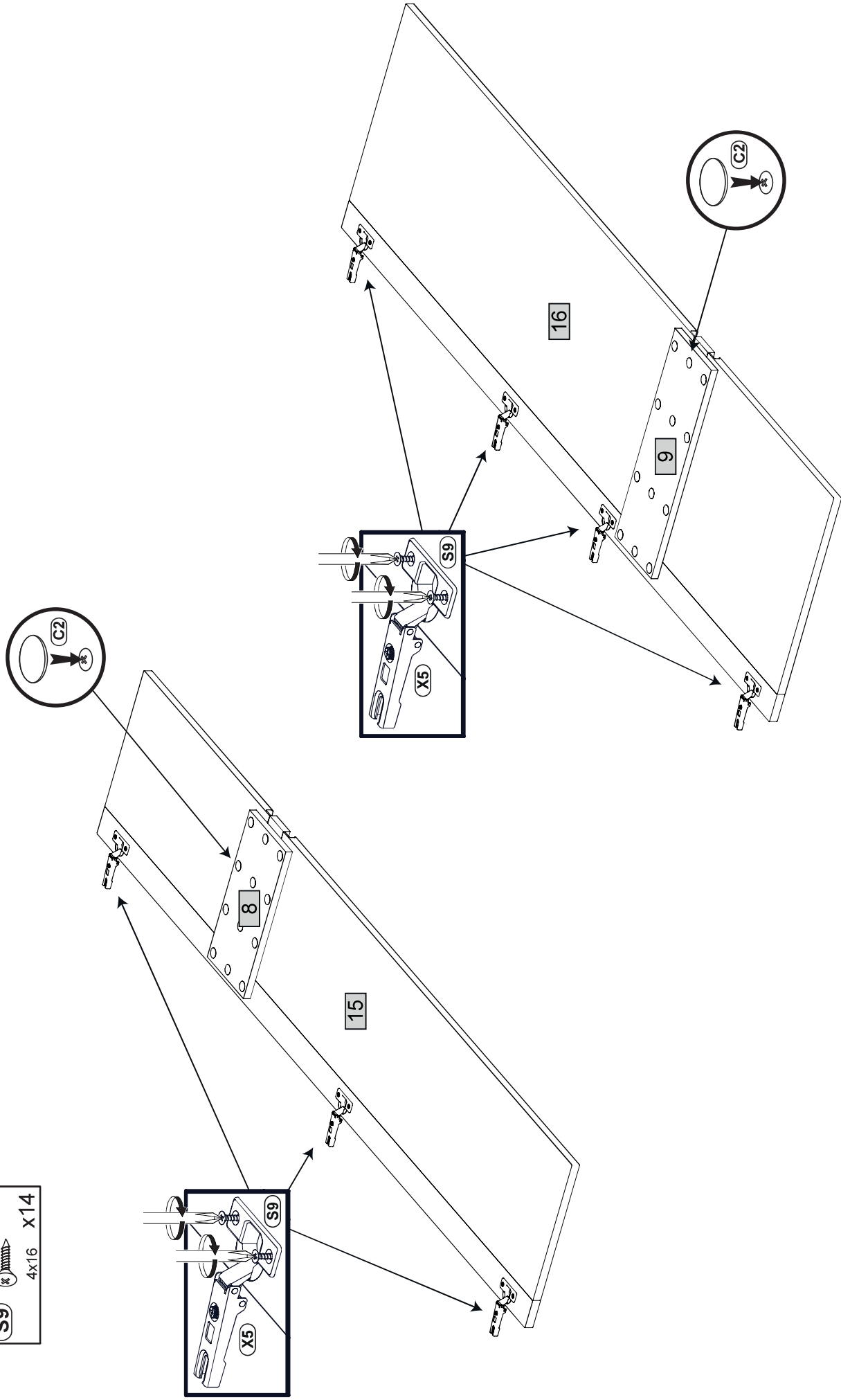
2



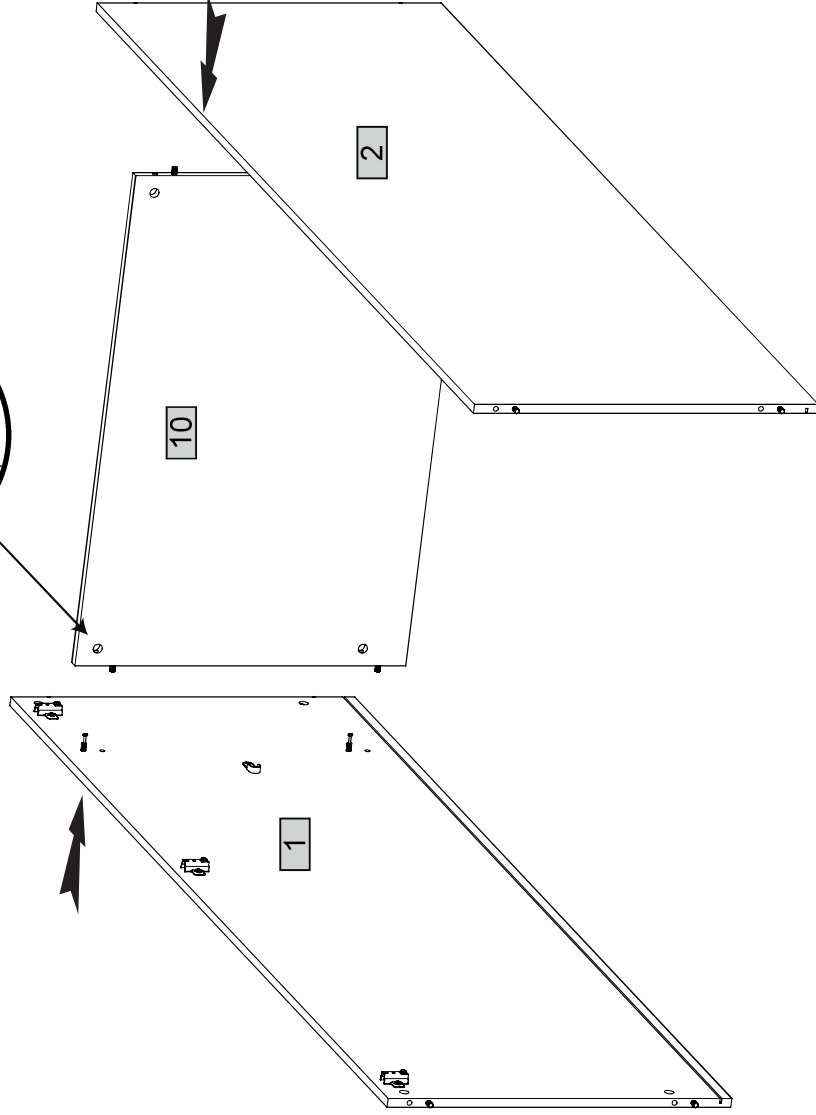
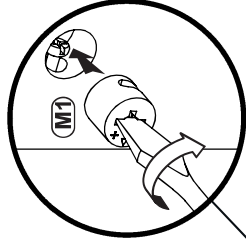
3

| | |
|---|----------|
|  | X7 |
|  | 4x16 X14 |

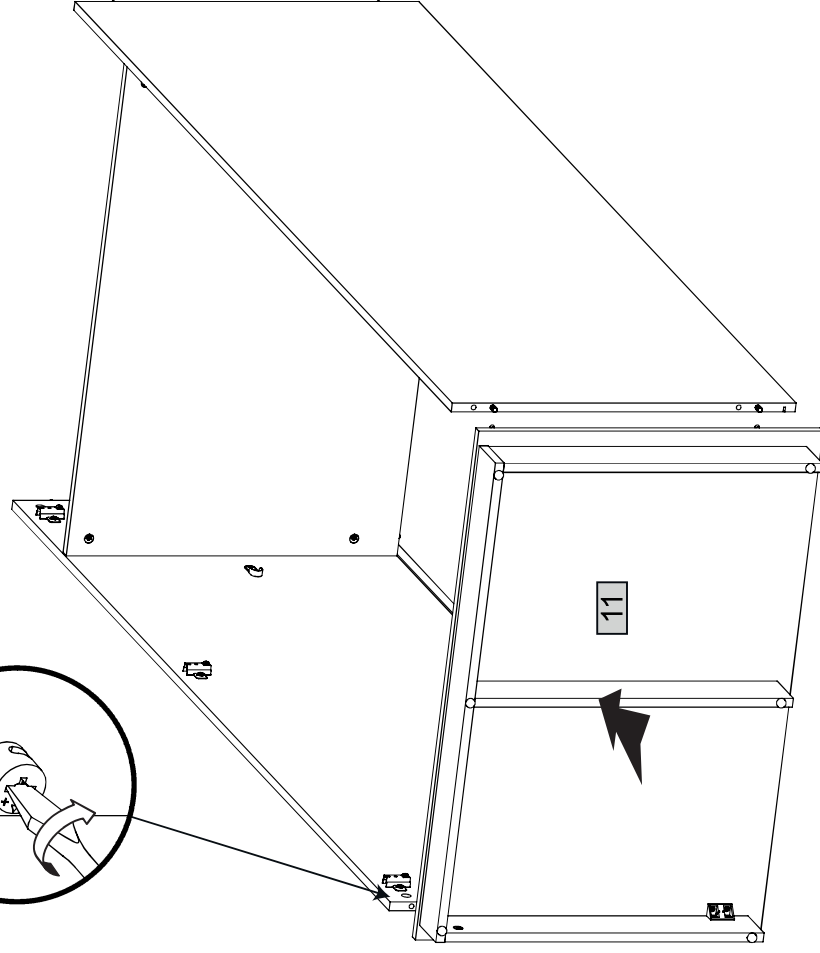
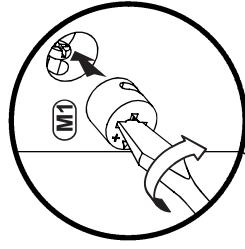
| | |
|---|----------|
|  | φ 20 X24 |
|---|----------|



4

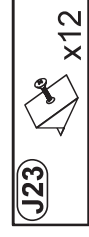
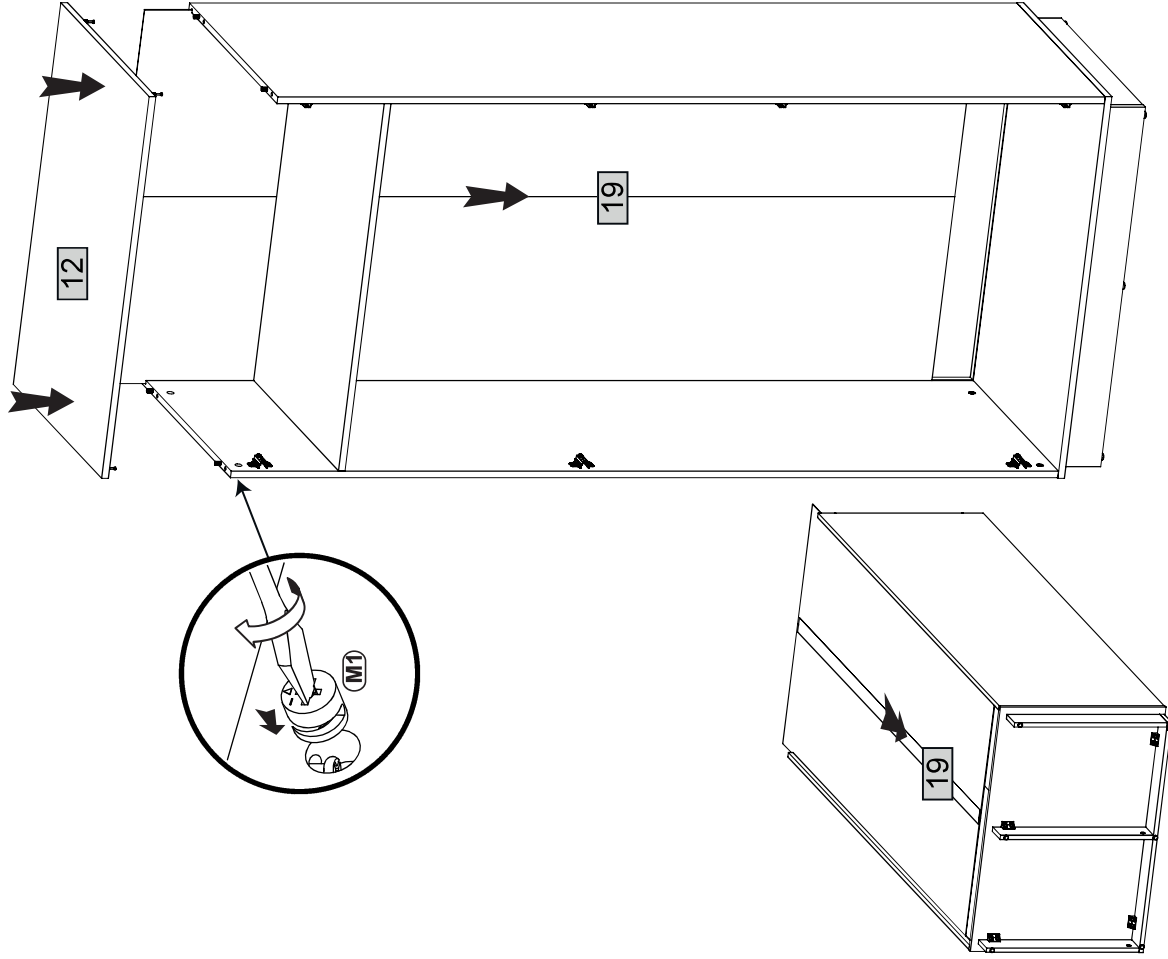


5

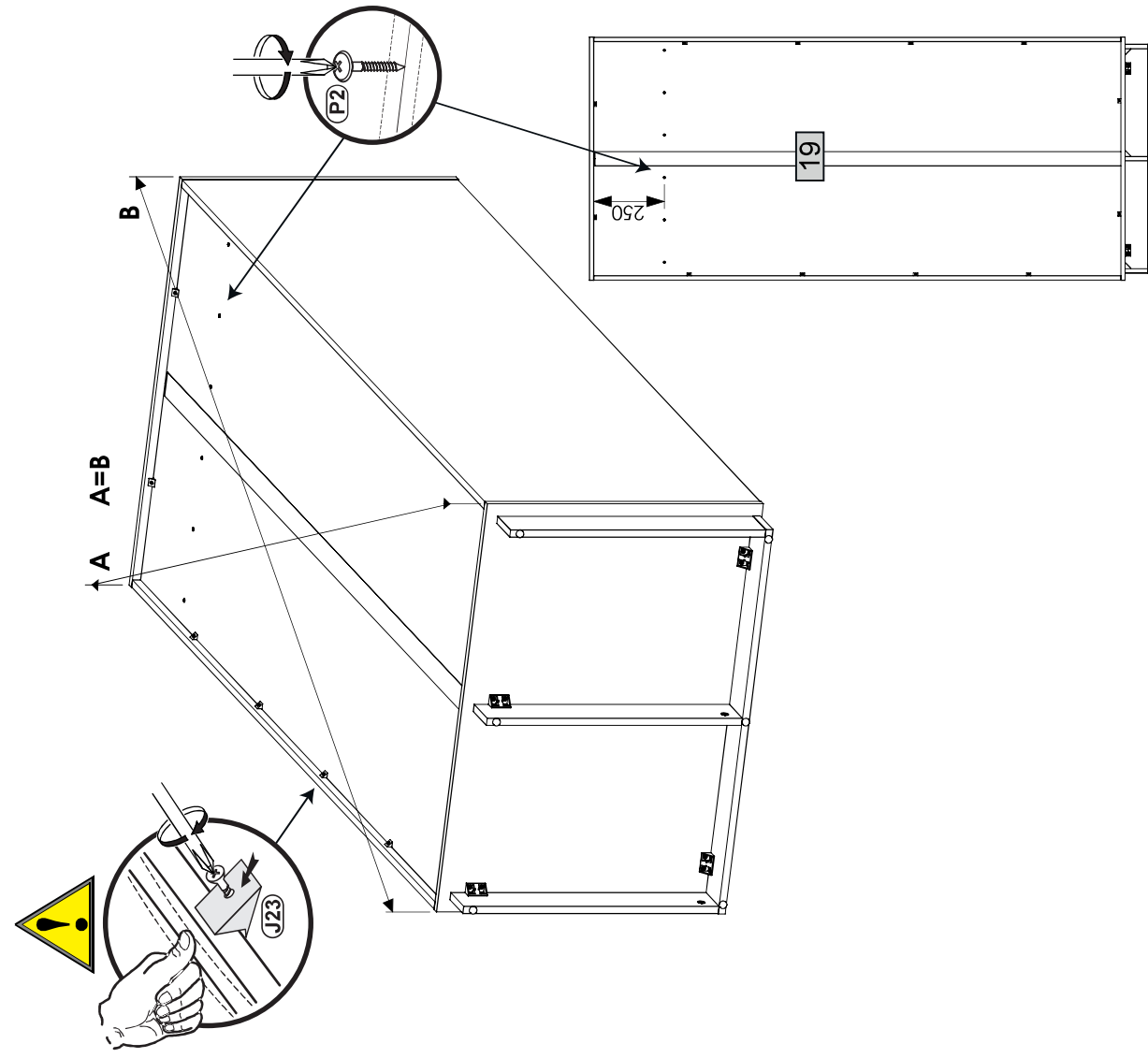




6



7



8

